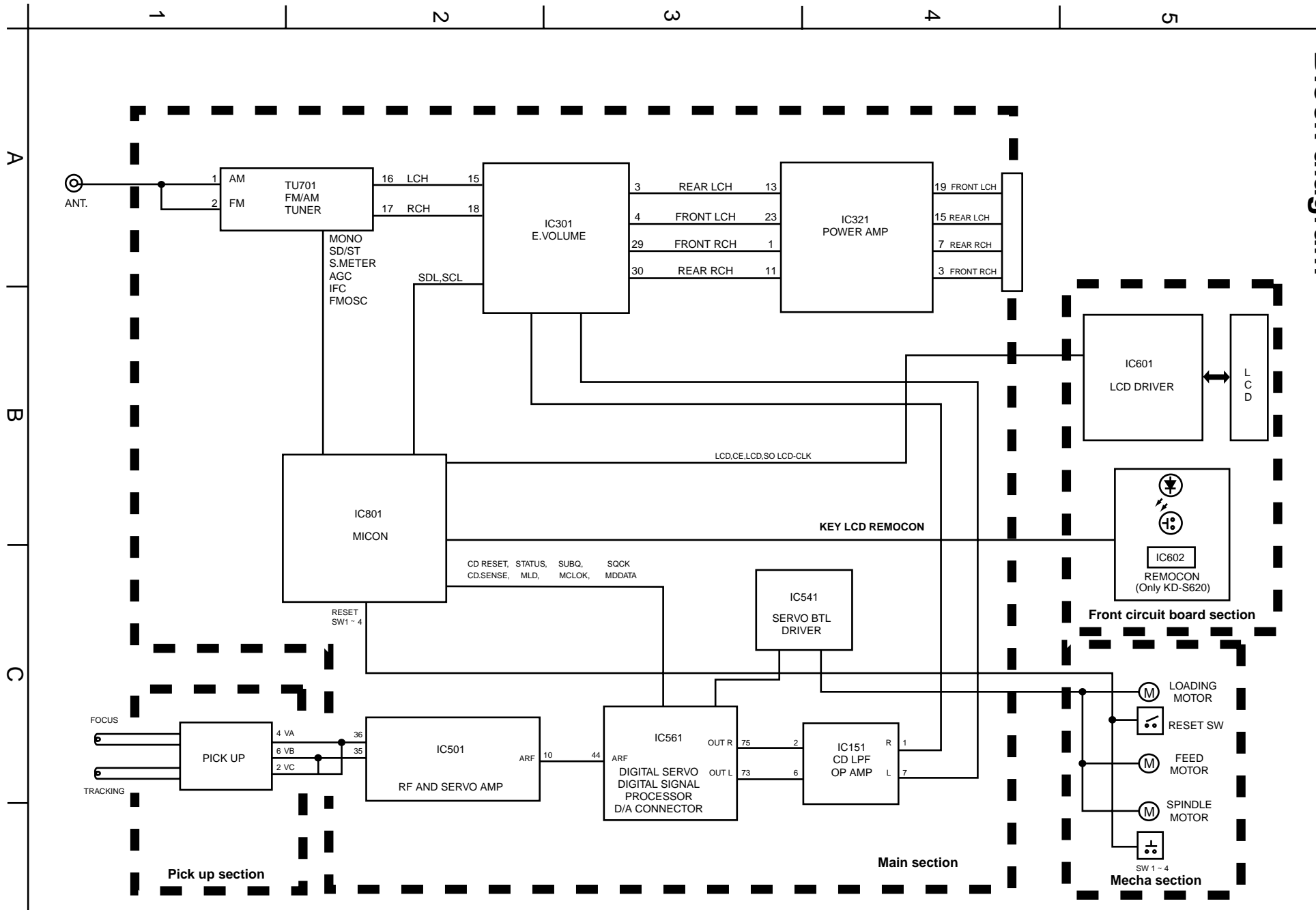


Block diagram



**< M E M O >**

# Standard schematic diagrams

## ■ Main amp. section

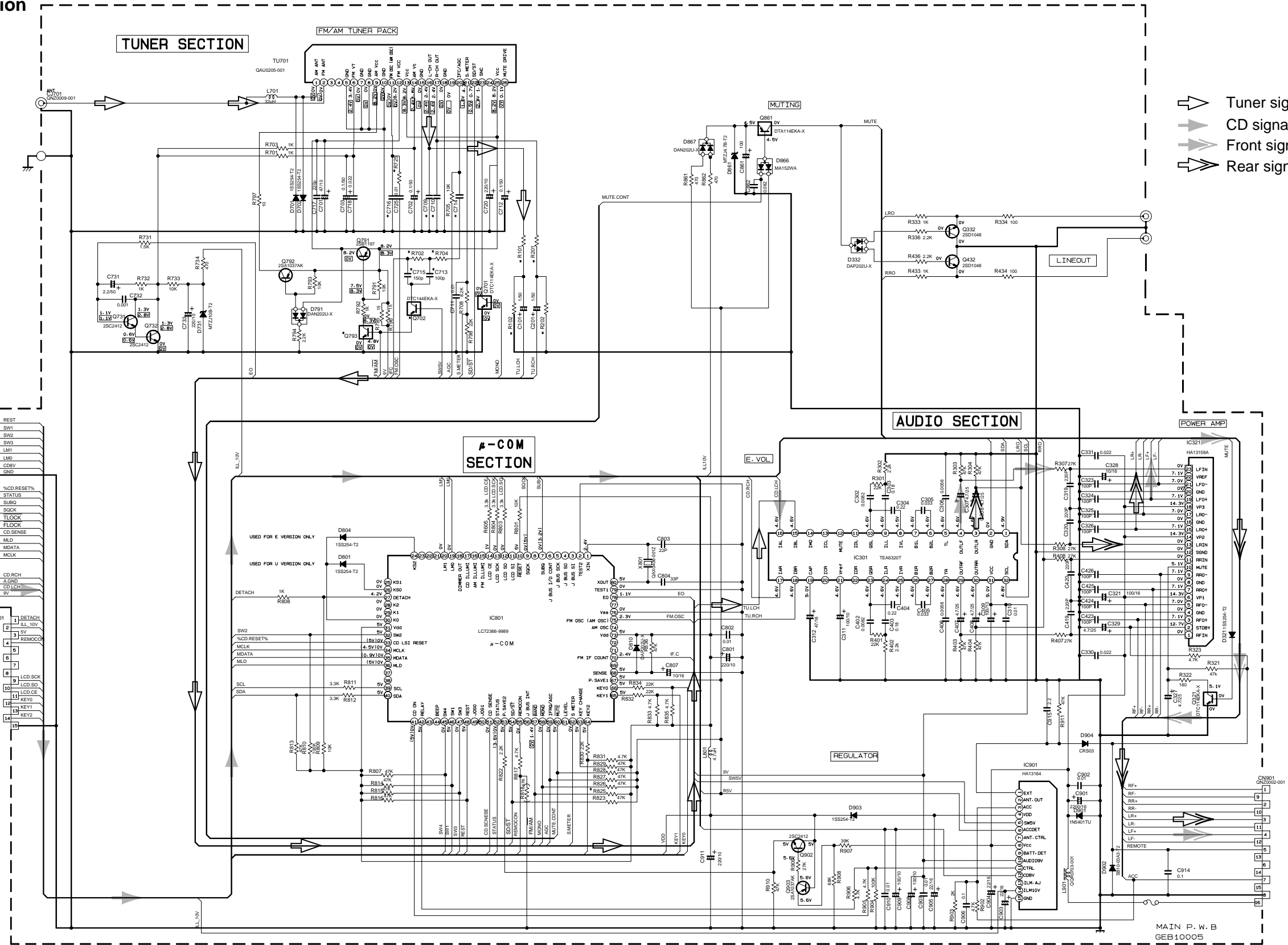
5

4

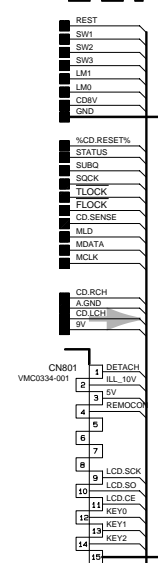
3

2

1



- Tuner signal
- CD signal
- Front signal
- Rear signal



REMARK 1

J	V	F
C709-C710	0.033	0.022
B101-B001	2.7K	470
R101-R102	1K	1.5K
D801	1N4148	1N4148
D804	1S254-T2	1S254-T2
C702	NOT USED	NOT USED
C713-C715	NOT USED	NOT USED
R702, R704	0	0
R701	0	0
C712	100P	100P
C716	NOT USED	NOT USED
D805	1N4148	1N4148
D806	1N4148	1N4148
C808	NOT USED	NOT USED

REMARK 2  
R818 IS NOT USED FOR KD-S620

NOTES: VOLTAGE ARE DC-MEASURED WITH A DIGITAL VOLTMETER WITHOUT INPUT SIGNAL CONDITION  
---FM(AM) MODE. ( ) CD MODE

Note:KD-S570J KD-S575U KD-S620J KD-S611E  
FSDH3165-005TW / 3165ma

CD servo & control section

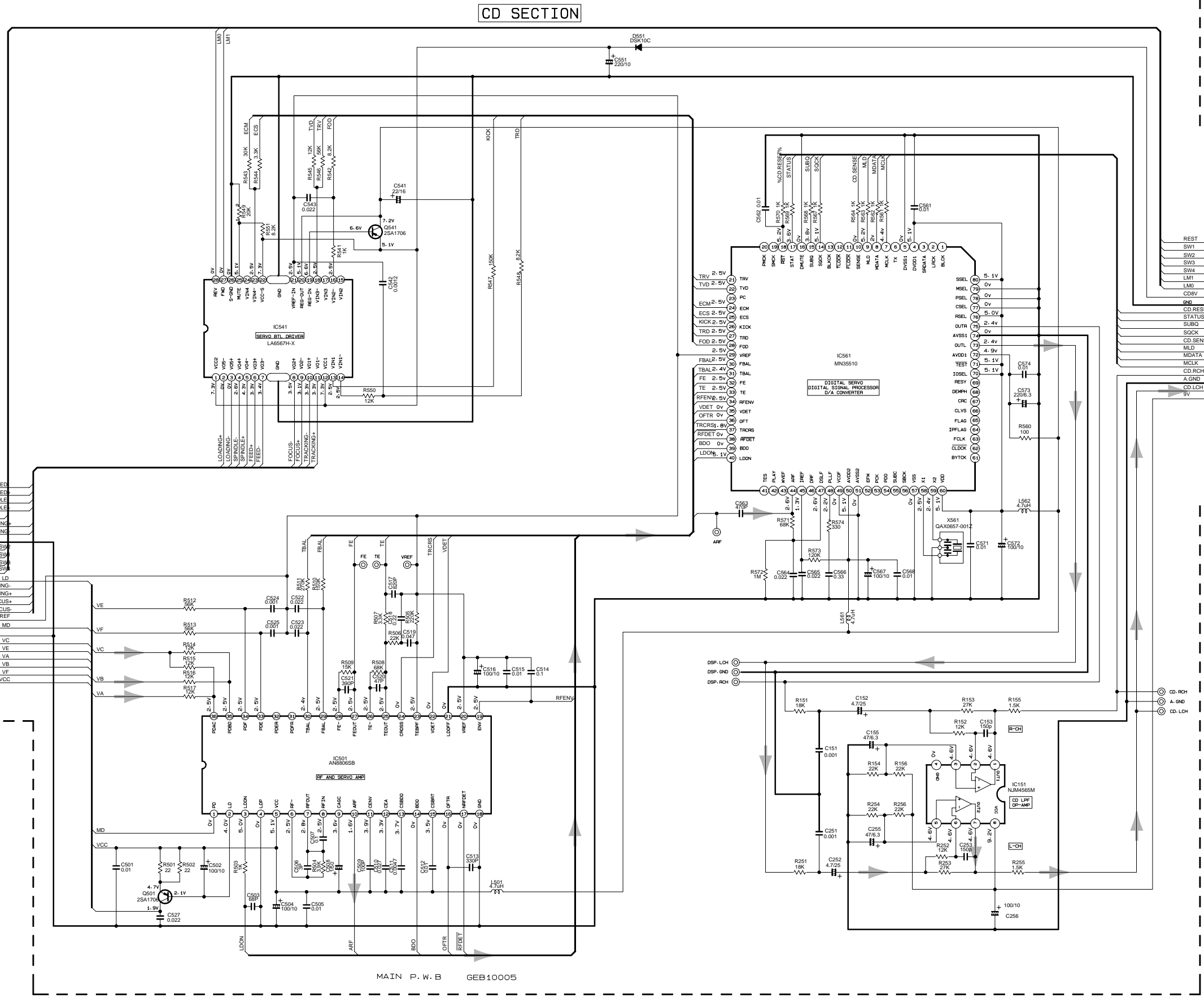
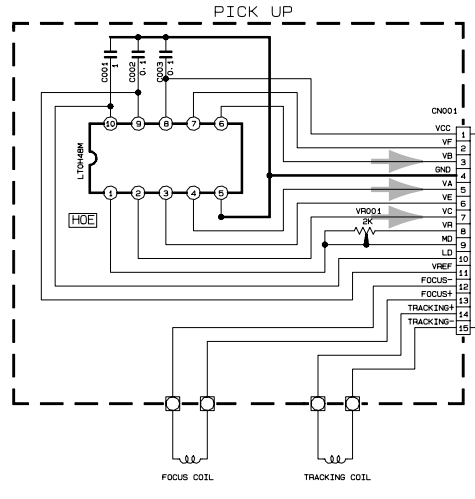
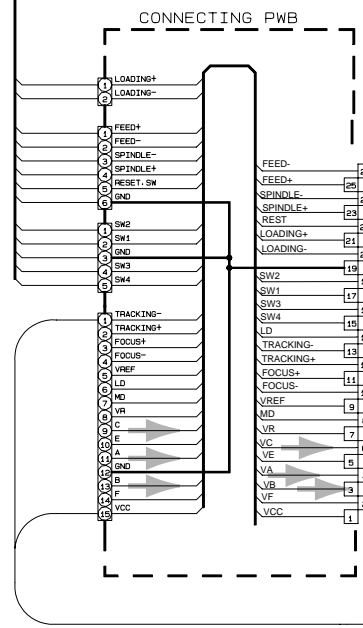
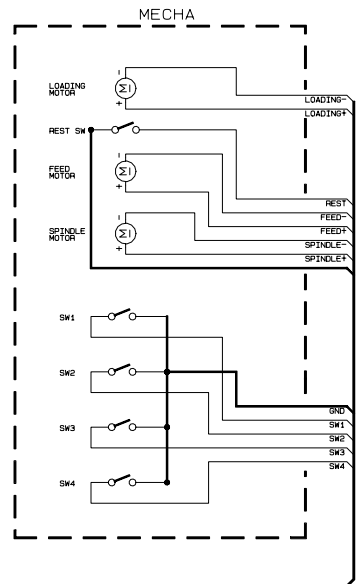
5

4

3

2

1



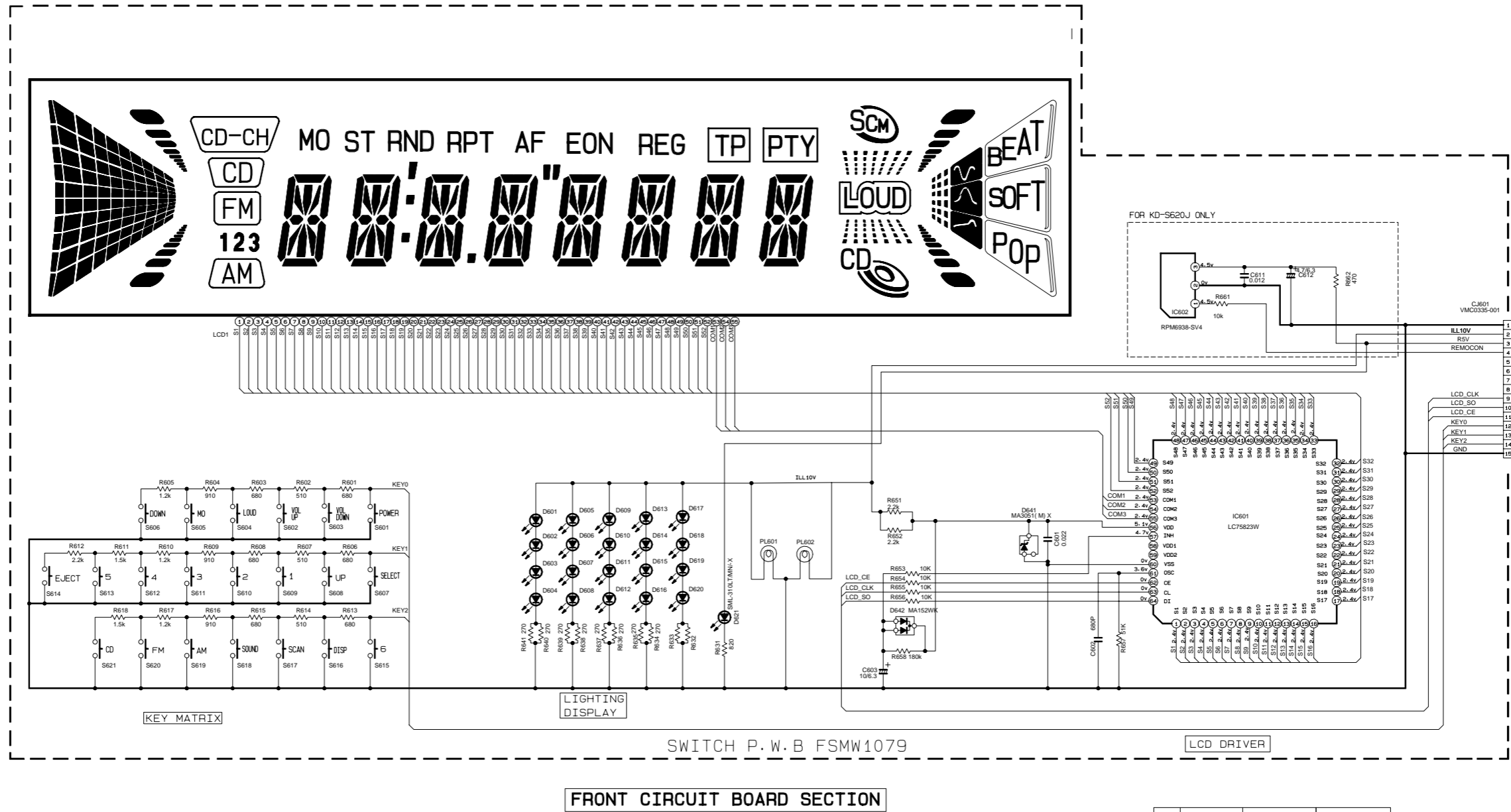
NOTE: VOLTAGE ARE DC-MEASURED WITH DIGITAL VOLTMETER WITHOUT INPUT SIGNAL CONDITION  
--- CD MODE

➔ CD signal

Note:3165ma.002  
KD-S570J KD-S575U KD-S620J KD-S611E  
FSDH3165-005CW 2/3

A B C 2-4 D E F G H

■ LCD & key control section



FRONT CIRCUIT BOARD SECTION

	KD-S620	KD-S570	KD-S575/KD-S611
PL601	QLL0033-003	QLL0033-003	QLL0056-001
DS17			LNJ3086B1/1-3/X
D616			LNJ3086B1/1-3/X
RS32	NRS402-J-391X		NRS402-J-271X
RS33			NRS402-J-271X
LCD1	GLD0161-001		GLD0161-001
D601-D616			LNJ3086B1/1-3/X
S601-S621			NW0124-001X

NOTE VOLTAGE ARE DC-MEASURED WITH DIGITAL VOLTMETER WITHOUT INPUT SIGNAL CONDITION

MODEL	SWITCH BOARD
KD-S570J	KD-SWPCB-1
KD-S620J	KD-SWPCB-2
KD-S575U Series/ KD-S611E Series	KD-SWPCB-8

Note:3165sw.001  
KD-S570J KD-S575U KD-S620J KD-S611E  
FSDH3165-005SW 3/3

# Printed circuit boards

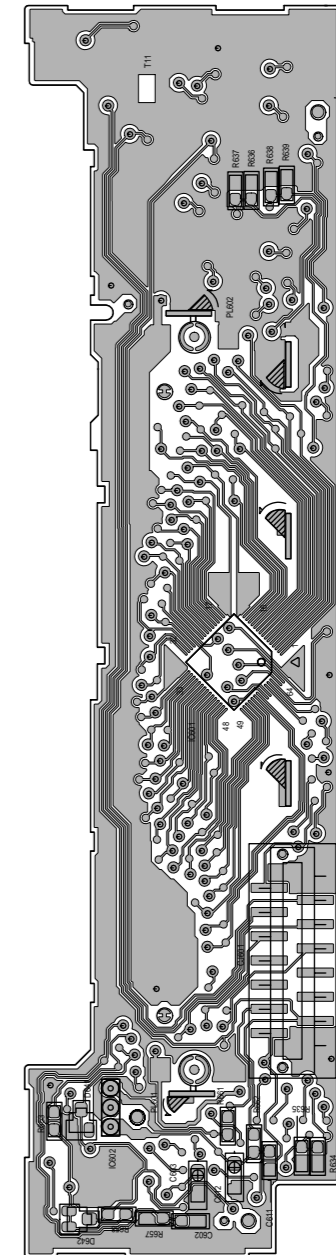
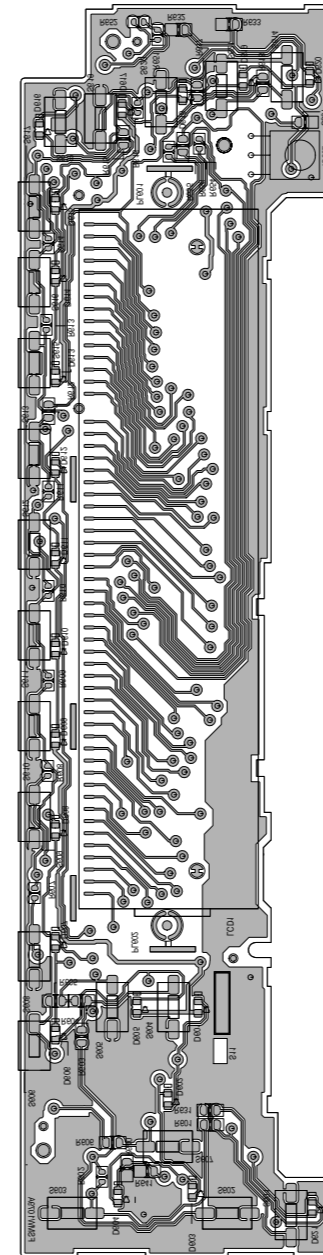
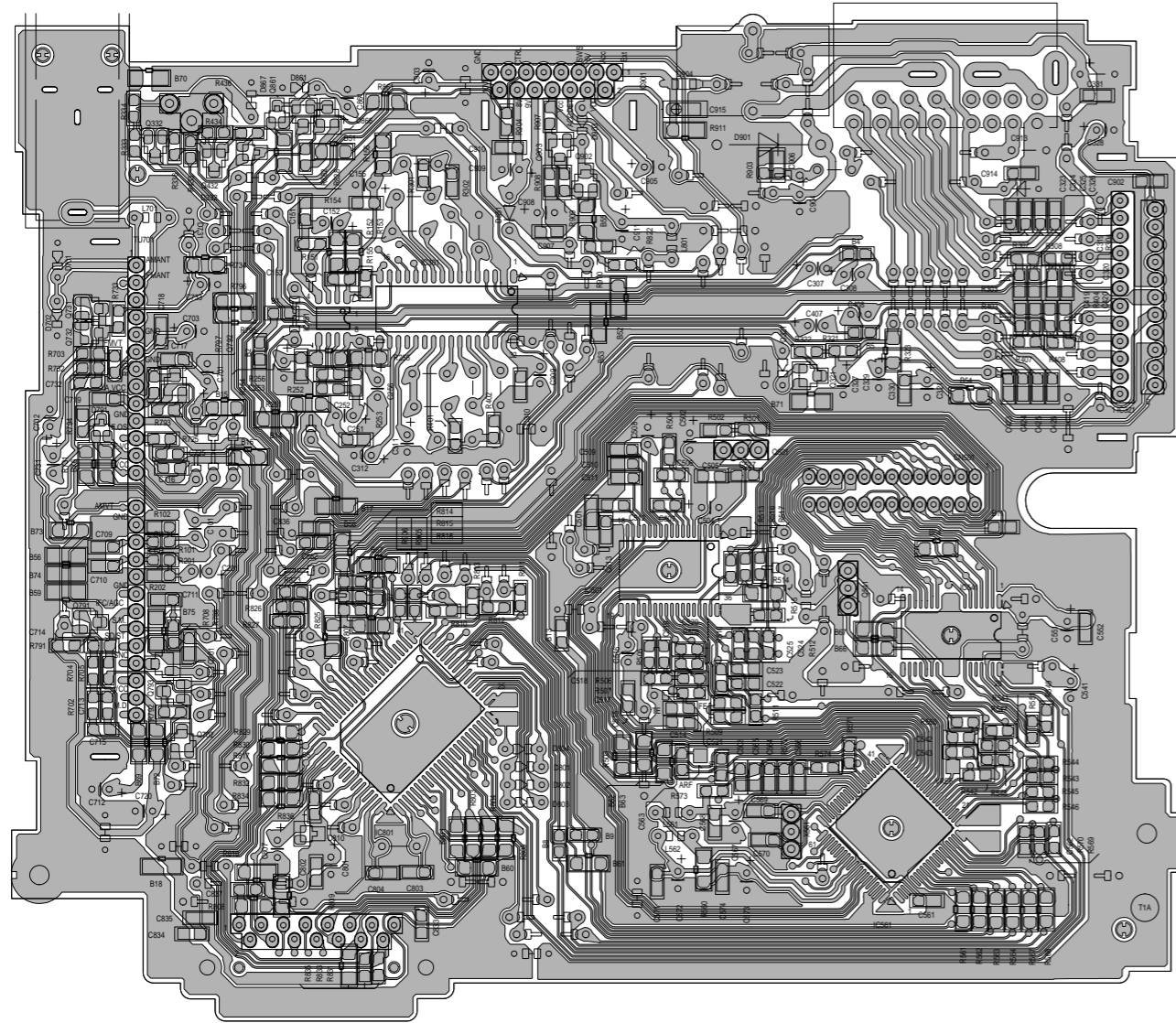
■ Main board

■ LCD & key control board

5  
4  
3  
2  
1

(Forward side)

(Reverse side)



Note:KD-S570J/KD-S620J  
/d2/c/geb10005/mp/10005mo

Note:KD-S570/KD-S620J  
/d2/c/jes1079a/1079mo

A B C 2-6 D E F G H